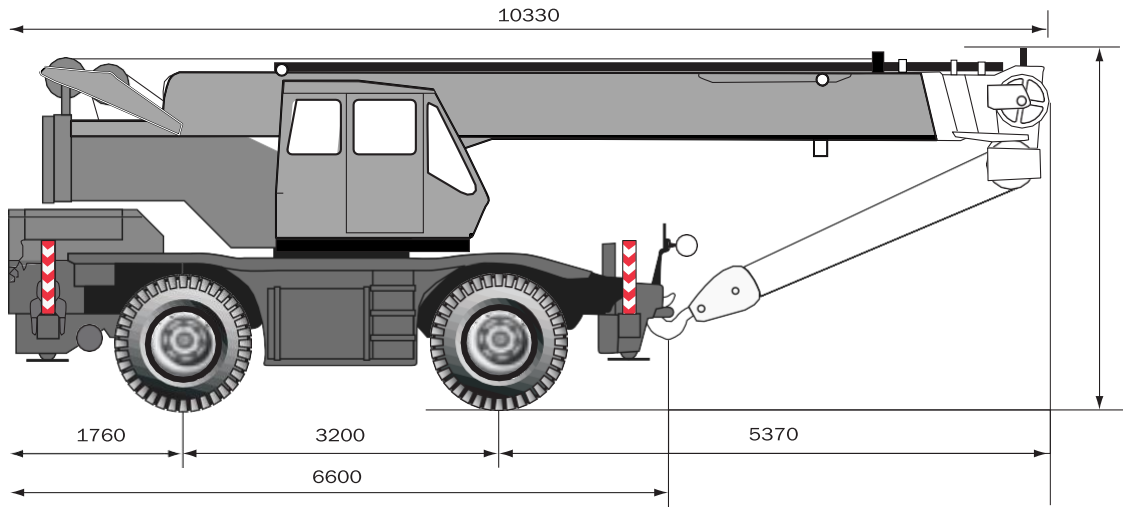
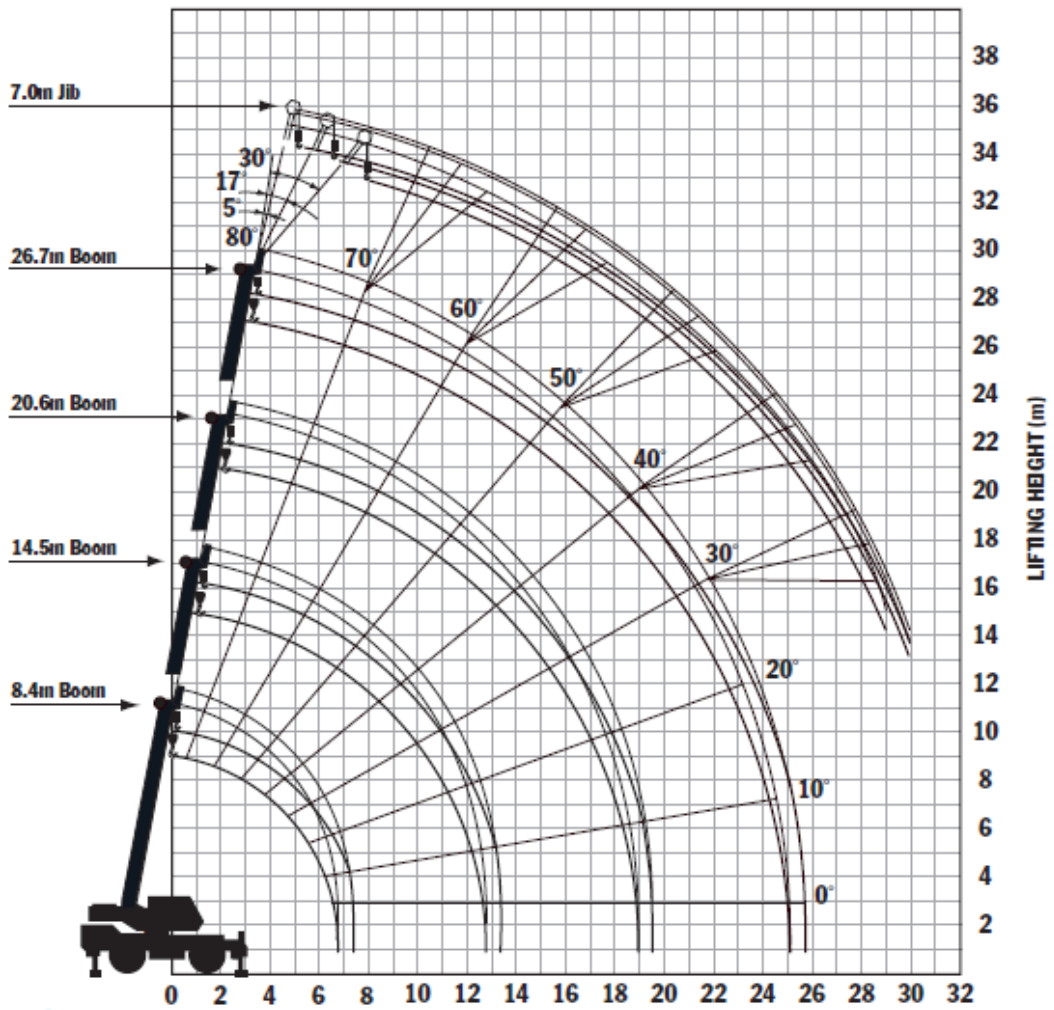


20 TONNE

KATO KR 20H



**WORKING RADIUS – LIFTING HEIGHT**



Crane Width 2490, Outrigger fully extended width 5800, Outrigger half extended width 4700 Tail Swing 3.0m

Operating Radius (m)	Total Rated Loads – Main Boom on Outriggers							
	With Fully Extended Outriggers				With Intermediately Extended Outriggers (4.7m)			
	360° Full Range				Over Side			
	8.4m	14.5m	20.6m	26.7m	8.4m	14.5m	20.6m	26.7m
2.0	20.00	16.00			20.00	16.00		
3.0	20.00	16.00			20.00	16.00		
3.5	20.00	16.00	9.00		20.00	16.00	9.00	
4.0	18.50	15.50	9.00		18.50	15.50	9.00	
4.5	16.50	14.20	9.00	6.80	16.50	14.20	9.00	6.80
5.0	15.00	13.10	9.00	6.80	15.00	13.10	9.00	6.80
5.5	13.70	12.10	9.00	6.80	12.30	12.10	9.00	6.80
6.0	12.50	11.20	9.00	6.80	10.40	10.00	9.00	6.80
6.5	11.50	10.40	8.50	6.80	8.70	8.50	8.50	6.80
7.0		9.70	8.00	6.80		7.40	8.00	6.80
8.0		8.15	7.10	6.10		5.70	6.25	5.90
9.0		6.45	6.40	5.50		4.55	5.05	5.30
10.0		5.25	5.80	5.00		3.70	4.15	4.40
12.0		3.65	4.15	4.20		2.45	2.95	3.20
14.0			3.05	3.30			2.10	2.35
16.0			2.30	2.55			1.50	1.70
18.0			1.75	1.95			1.05	1.25
20.0				1.50				0.90
22.0				1.20				0.65
24.0				0.90				0.45
25.0				0.80				
Critical Boom Angle	-	-	-	-	-	-	-	-

Boom Angle (°)	Total Rated Loads – Fly Jib					
	Outriggers fully extended 360° Full Range					
	26.7m Boom + 7m Jib					
	Offset 5°		Offset 17°		Offset 30°	
Working Radius/m	Load	Working Radius/m	Load	Working Radius/m	Load	
80.0	6.20	3.00	7.50	2.40	8.80	2.00
75.0	9.40	3.00	10.50	2.40	11.70	2.00
73.0	10.60	3.00	11.50	2.40	12.80	2.00
70.5	12.00	3.00	13.00	2.40	14.00	2.00
65.0	14.90	2.40	15.80	2.00	16.80	1.75
60.0	17.40	2.00	18.20	1.75	19.20	1.60
55.0	19.80	1.75	20.50	1.55	21.30	1.50
53.0	20.70	1.55	21.40	1.50	22.10	1.35
50.0	21.90	1.35	22.70	1.30	23.20	1.20
45.0	23.80	1.05	24.50	1.05	25.00	0.95
40.0	25.60	0.80	26.20	0.80	26.60	0.75
35.0	27.20	0.65	27.70	0.62	27.90	0.60
30.0	28.60	0.50	29.00	0.50	29.00	0.45
25.0	29.80	0.41	30.00	0.40		
23.6	30.00	0.40				
Critical Boom Angle	-	-	-	-	-	-

Operating Radius (m)	Total Rated Loads – Pick and Carry (maximum 2 Km/h)							
	8.40m		14.50m		20.60m		26.70m	
	Over front	360° full range	Over front	360° full range	Over front	360° full range	Over front	360° full range
3.0	8.50	6.00	6.60	5.00				
3.5	8.25	5.00	6.60	4.80		3.20		
4.0	8.00	4.30	6.60	4.10	5.00	3.20		
4.5	6.80	3.60	6.00	3.40	5.00	3.20		
5.0	5.80	3.00	5.30	2.80	5.00	3.20	2.80	1.85
5.5	5.00	2.50	4.75	2.30	4.70	2.70	2.80	1.85
6.0	4.50	2.05	4.30	1.90	4.30	2.30	2.80	1.85
6.5	4.00	1.70	3.80	1.60	3.90	2.00	2.80	1.85
7.0			3.40	1.30	3.60	1.70	2.70	1.70
8.0			2.65	0.85	3.00	1.25	2.35	1.35
9.0			2.10		2.45	0.90	2.15	1.05
10.0			1.65		2.00	0.65	2.00	0.75
11.0			1.30		1.65		1.70	
12.0			1.00		1.35		1.45	
13.0					1.10		1.20	
14.0					0.90		1.05	
15.0					0.70		0.90	
16.0					0.55		0.75	
Critical Boom Angle	-	-	-	45°	25°	53°	45°	62°

Working Area

