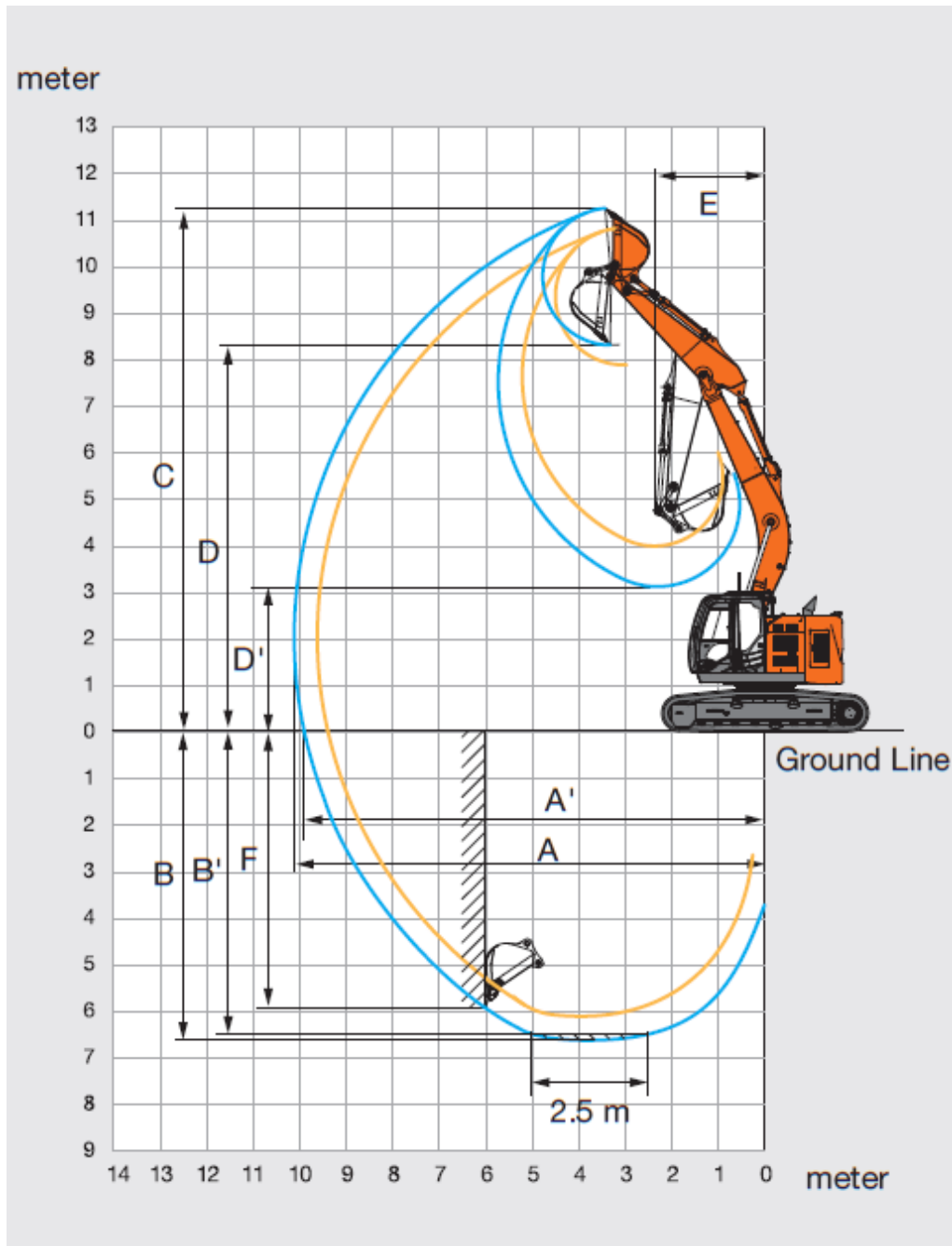


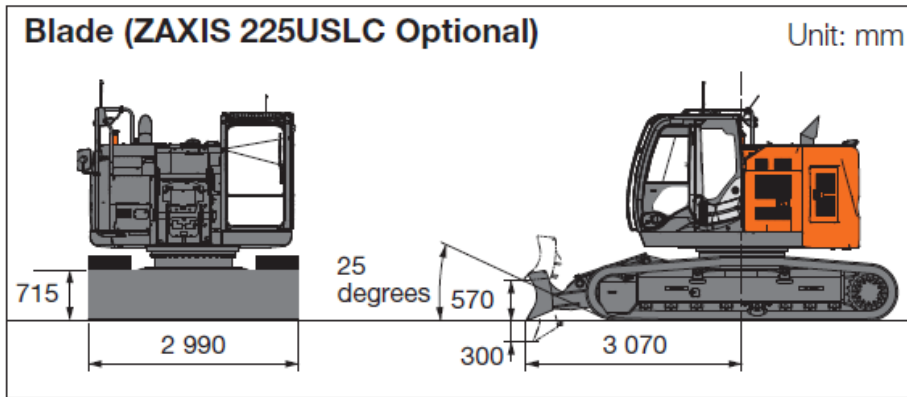
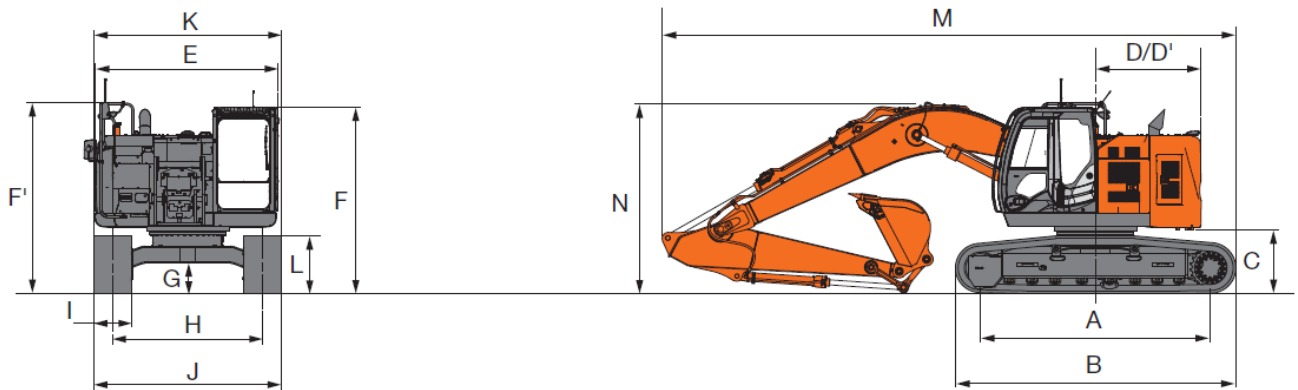
Working Ranges



ZAXIS 225US / ZAXIS 225USLC		
Arm Length	2.42 m	2.91 m
A Max. digging reach	9 620	10 110
A' Max. digging reach (on ground)	9 400	9 900
B Max. digging depth	6 120	6 620
B' Max. digging depth (2.5 m level)	5 870	6 410
C Max. cutting height	10 790	11 230
D Max. dumping height	7 870	8 290
D' Min. dumping height	3 980	3 330
E Min. swing radius	2 720	2 380
F Max. vertical wall digging depth	5 190	5 810

Unit mm

Dimensions



The illustration is shown ZAXIS 225uslc

	ZAXIS 225US	ZAXIS 225USLC	ZAXIS 225USLC with blade (optional)
A Distance between tumbler	3 370		3 660
B Undercarriage length	4 170		4 460
* C Counterweight clearance	990		990
D Rear-end swing radius	1 680		1 680
D' Rear-end length	1 680		1 680
E Overall width of upper structure	2 910		2 910
F Overall height of cab	2 950		2 950
F' Over height of upper structure	3 020		3 020
* G Min. ground clearance	450		450
H Track gauge	2 200		2 390
I Track shoe width	G 600		G 600
J Undercarriage width	2 800		2 990
K Overall width	2 910		2 990
* L Track height with triple grouser shoes	920		920
M Overall length			
With Arm 2.42 m	9 120	9 270	10 120
With Arm 2.91 m	8 970	9 110	9 960
N Overall height of boom			
With Arm 2.42 m	3 230		3 230
With Arm 2.91 m	3 020		3 020

*=Excluding track shoe lug

G: Triple grouser shoe

ENGINE

Model	Isuzu AM-4HK1X
Type	4-cycle water-cooled, common rail direct injection
Aspiration	Variable geometry turbocharged, intercooled, cooled EGR
After treatment	Muffler filter
No. of cylinders	4
Rated power	
ISO 14396.....	128 kW at 2 000 min ⁻¹
ISO 9249, net	122 kW at 2 000 min ⁻¹
EEC 80/1269, net	122 kW at 2 000 min ⁻¹
SAE J1349, net	122 kW at 2 000 min ⁻¹
Maximum torque	652 Nm at 1 500 min ⁻¹
Piston displacement	5.190 L
Bore and stroke	115 mm x 125 mm
Batteries	2 x 12 V / 126 Ah

HYDRAULIC SYSTEM

Hydraulic Pumps

Main pumps	3 variable displacement axial piston pumps
Maximum oil flow	2 x 212 L/min
	1 x 189 L/min
Pilot pump	1 gear pump
Maximum oil flow	33.6 L/min

Hydraulic Motors

Travel	2 variable displacement axial piston motors
Swing	1 axial piston motor

Relief Valve Settings

Implement circuit	34.3 MPa
Swing circuit	32.4 MPa
Travel circuit	35.5 MPa
Pilot circuit	3.90 MPa
Power boost	38.0 MPa

Hydraulic Cylinders

	Quantity	Bore	Rod diameter
Boom	2	120 mm	85 mm
Arm	1	135 mm	95 mm
Bucket	1	115 mm	80 mm

UPPERSTRUCTURE

Revolving Frame

D-section frame for resistance to deformation.

Swing Device

Axial piston motor with planetary reduction gear is bathed in oil. Swing circle is single row. Swing parking brake is spring-set/hydraulic-released disc type.
Swing speed 11.8 min⁻¹
Swing torque 68 kNm

Operator's Cab

Independent spacious cab, 1 005 mm wide by 1 675 mm high, conforming to ISO* Standards.
* International Organization for Standardization

UNDERCARRIAGE

Tracks

Heat-treated connecting pins with dirt seals. Hydraulic (grease) track adjusters with shock-absorbing recoil springs.

Numbers of Rollers and Shoes on Each Side

Upper rollers	2
Lower rollers	7: ZAXIS 225US
	8: ZAXIS 225USLC
Track shoes	46: ZAXIS 225US
	49: ZAXIS 225USLC
Track guard	1

Travel Device

Each track driven by 2-speed axial piston motor. Parking brake is spring-set/hydraulic-released disc type. Automatic transmission system: High-Low.
Travel speeds High: 0 to 5.5 km/h
Low: 0 to 3.4 km/h

Gradeability	70% (35 degree) continuous
	: ZAXIS 225US / ZAXIS 225USLC
	58% (30 degree) continuous
	:ZAXIS 225USLC with blade

SOUND LEVEL

Sound level in cab according to ISO 6396 LpA 71 dB(A)
External sound level according to ISO 6395 and EU Directive 2000/14/ECLwA 101 dB(A)

SERVICE REFILL CAPABILITIES

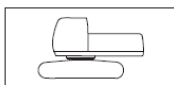
Fuel tank	380 L
Engine coolant	25.0 L
Engine oil	23.0 L
Swing device	6.20 L
Travel device (each side)	6.80 L
Hydraulic system	240 L
Hydraulic oil tank	130 L

Weights and Ground Pressure

Operating Weight and Ground Pressure								
ZAXIS 225US			ZAXIS 225USLC			ZAXIS 225USLC with blade (optional)		
Shoe type	Shoe width	Arm length	kg	kPa	kg	kPa	kg	kPa
Triple grouser	600 mm	2.42 m	23 700	53	24 200	50	26 200	54
		2.91 m	23 800	53	24 300	50	26 300	55
	700 mm	2.42 m	24 100	46	24 600	44	-	-
		2.91 m	24 200	46	24 700	44	-	-
	800 mm	2.42 m	24 400	41	24 900	38	-	-
		2.91 m	24 500	41	25 000	39	-	-
	900 mm	2.42 m	-	-	25 400	35	-	-
		2.91 m	-	-	25 500	35	-	-

Including 0.80 m³ (ISO Heaped), bucket weight (660kg) and counterweight (7 000kg).

Basic Machine Weight and Overall Width



Excluding front end attachment, fuel, hydraulic oil and coolant etc. Including counterweight.

Components Weight	
	Weight
Counterweight	7 000 kg
Boom 5.68 m (with arm cylinder and boom cylinder)	2 180 kg
Arm 2.42 m (with bucket cylinder)	840 kg
Arm 2.91 m (with bucket cylinder)	920 kg
Bucket 0.80 m ³	660 kg

Shoe width	ZAXIS 225US		ZAXIS 225USLC		ZAXIS 225USLC with blade (Optional)	
	Weight	Overall width	Weight	Overall width	Weight	Overall width
600 mm	19 400 kg	2 910 mm	19 900 kg	2 990 mm	21 900 kg	2 990 mm
700 mm	19 800 kg	2 910 mm	20 300 kg	3 090 mm	-	-
800 mm	20 100 kg	3 000 mm	20 600 kg	3 190 mm	-	-
900 mm	-	-	21 100 kg	3 290 mm	-	-

Bucket and Arm Digging Force

ZAXIS 225US / ZAXIS 225USLC		
Arm length	2.42 m	2.91 m
Bucket digging force* ISO	158 kN	
Bucket digging force* SAE	141 kN	
Arm crowd force* ISO	140 kN	114 kN
Arm crowd force* SAE	133 kN	110 kN

Backhoe Attachments

Boom and arms are of welded, box-section design. 5.68 m boom, and 2.42 m and 2.91 m arms are available. Bucket is of welded steel structure. Side clearance adjust mechanism provided on the bucket joint bracket.

Buckets

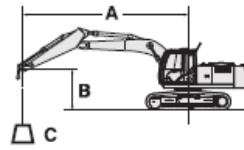
Capacity	Width		No. Of teeth	Weight	Recommendation			
					ZAXIS 225US		ZAXIS 225USLC	
	Without side cutters	With side cutters			Arm 2.42 m	Arm 2.91 m	Arm 2.42 m	Arm 2.91 m
0.80 m ³	1 030 mm	1 140 mm	5	660 kg	⊙	⊙	⊙	⊙
0.91 m ³	1 150 mm	1 260 mm	5	700 kg	⊙	○	⊙	⊙
1.10 m ³	1 330 mm	1 440 mm	6	770 kg	□	-	○	□

- ⊙ Suitable for materials with density of 2 000 kg/m³ or less
- Suitable for materials with density of 1 600 kg/m³ or less
- Suitable for materials with density of 1 100 kg/m³ or less
- Not applicable

LIFTING CAPABILITIES

HITACHI ZX225US

- Notes:
1. Ratings are based on ISO 10567.
 2. Lifting capacity does not exceed 75% of tipping load with the machine on firm, level ground or 87% full hydraulic capacity.
 3. The load point is the center-line of the bucket pivot mounting pin on the arm.
 4. *Indicates load limited by hydraulic capacity.
 5. 0 m = Ground.



A: Load radius
B: Load point height
C: Lifting capacity

For lifting capacities, subtract bucket and quick hitch weight from lifting capacities without bucket.

ZAXIS 225US

Rating over-front Rating over-side or 360 degrees Unit : kg

Conditions	Load point height m	Load radius m										At max. reach		
		1.5		3.0		4.5		6.0		7.5		meter		
Boom 5.68 m	7.5					*5 970	*5 970					*6 020	4 690	5.89
Arm 2.42 m	6.0					*6 470	*6 470	*5 930	4 540			5 460	3 470	7.05
Counterweight	4.5					*7 980	6 710	*6 510	4 360	4 890	3 080	4 640	2 920	7.74
7 000 kg	3.0					*9 960	6 140	6 670	4 120	4 780	2 990	4 270	2 660	8.09
Shoe 600 mm	1.5					9 930	5 730	6 440	3 910	4 670	2 880	4 160	2 570	8.13
	0 (Ground)					9 760	5 590	6 300	3 780	4 600	2 820	4 300	2 650	7.88
	-1.5			*9 940	*9 940	9 770	5 600	6 270	3 760			4 780	2 930	7.31
	-3.0			*12 160	10 930	*9 160	5 720	6 380	3 860			5 950	3 620	6.31
	-4.5					*5 710	*5 710					*5 490	*5 490	4.61
Boom 5.68 m	7.5					*5 200	*5 200	*5 340	4 650			*4 270	3 970	6.57
Arm 2.91 m	6.0					*5 740	*5 740	*5 430	4 610	*4 520	3 170	*4 020	3 080	7.62
Counterweight	4.5			*10 000	*10 000	*7 230	6 870	*6 070	4 420	4 920	3 110	*3 990	2 640	8.26
7 000 kg	3.0					*9 280	6 290	6 730	4 170	4 800	3 000	3 900	2 420	8.58
Shoe 600 mm	1.5					10 030	5 810	6 470	3 930	4 670	2 880	3 810	2 350	8.63
	0 (Ground)			*4 520	*4 520	9 770	5 590	6 290	3 780	4 580	2 800	3 920	2 400	8.39
	-1.5	*5 910	*5 910	*8 970	*8 970	9 720	5 550	6 230	3 720	4 560	2 770	4 290	2 620	7.86
	-3.0	*10 330	*10 330	*13 630	10 750	9 810	5 630	6 280	3 770			5 140	3 130	6.94
	-4.5			*9 820	*9 820	*7 210	5 860					*5 550	4 500	5.46

ZAXIS 225USLC

Rating over-front Rating over-side or 360 degrees Unit : kg

Conditions	Load point height m	Load radius m										At max. reach		
		1.5		3.0		4.5		6.0		7.5		meter		
Boom 5.68 m	7.5					*5 970	*5 970					*6 020	5 240	5.89
Arm 2.42 m	6.0					*6 470	*6 470	*5 930	5 080			*5 820	3 890	7.05
Counterweight	4.5					*7 980	7 570	*6 510	4 900	5 580	3 470	5 300	3 290	7.74
7 000 kg	3.0					*9 960	6 970	*7 350	4 650	5 470	3 370	4 880	3 010	8.09
Shoe 600 mm	1.5					*11 260	6 550	7 430	4 430	5 360	3 270	4 770	2 920	8.13
	0 (Ground)					*11 410	6 410	7 290	4 310	5 290	3 200	4 940	3 000	7.88
	-1.5			*9 940	*9 940	*10 730	6 420	7 260	4 280			5 490	3 320	7.31
	-3.0			*12 160	*12 160	*9 160	6 540	*6 730	4 380			*6 190	4 110	6.31
	-4.5					*5 710	*5 710					*5 490	*5 490	4.61
Boom 5.68 m	7.5					*5 200	*5 200	*5 340	5 200			*4 270	*4 270	6.57
Arm 2.91 m	6.0					*5 740	*5 740	*5 430	5 150	*4 520	3 560	*4 020	3 460	7.62
Counterweight	4.5			*10 000	*10 000	*7 230	*7 230	*6 070	4 960	*5 490	3 500	*3 990	2 980	8.26
7 000 kg	3.0					*9 280	7 130	*6 980	4 700	5 490	3 390	*4 120	2 740	8.58
Shoe 600 mm	1.5					*10 890	6 640	7 460	4 460	5 360	3 260	4 360	2 670	8.63
	0 (Ground)			*4 520	*4 520	*11 430	6 410	7 280	4 300	5 260	3 180	4 490	2 730	8.39
	-1.5	*5 910	*5 910	*8 970	*8 970	*11 060	6 370	7 220	4 240	5 240	3 160	4 920	2 980	7.86
	-3.0	*10 330	*10 330	*13 630	12 570	*9 820	6 450	7 270	4 290			*5 850	3 560	6.94
	-4.5			*9 820	*9 820	*7 210	6 690					*5 550	5 110	5.46

ZAXIS 225USLC BLADE (ABOVE GROUND)

Rating over-front Rating over-side or 360 degrees Unit : kg

Conditions	Load point height m	Load radius m										At max. reach		
		1.5		3.0		4.5		6.0		7.5		meter		
Boom 5.68 m	7.5					*5 930	*5 930					*5 990	5 670	5.89
Arm 2.42 m	6.0					*6 440	*6 440	*5 890	5 500			*5 790	4 240	7.06
Counterweight	4.5					*7 940	*7 940	*6 480	5 320	5 510	3 790	5 230	3 600	7.74
7 000 kg	3.0					*9 900	7 590	*7 310	5 070	5 400	3 690	4 810	3 300	8.09
Shoe 600 mm	1.5					*11 200	7 170	7 330	4 860	5 290	3 590	4 700	3 210	8.13
	0 (Ground)					11 340	7 020	7 190	4 730	5 220	3 520	4 870	3 310	7.88
	-1.5			*9 940	*9 940	*10 670	7 030	7 170	4 710			5 420	3 660	7.31
	-3.0			*12 090	*12 090	*9 110	7 160	*6 690	4 800			*6 160	4 510	6.31
	-4.5					*5 670	*5 670					*5 460	*5 460	4.61
Boom 5.68 m	7.5					*5 180	*5 180					*4 270	*4 270	6.57
Arm 2.91 m	6.0					*5 710	*5 710	*5 310	*5 310			*4 020	3 770	7.62
Counterweight	4.5			*9 950	*9 950	*7 190	*7 190	*5 400	*5 400	*4 520	3 880	*3 990	3 270	8.26
7 000 kg	3.0					*9 230	7 750	*6 040	5 380	*5 460	3 820	*4 120	3 020	8.58
Shoe 600 mm	1.5					*10 830	7 260	*6 940	5 120	5 420	3 710	4 310	2 940	8.63
	0 (Ground)			*4 520	*4 520	*11 350	7 030	7 370	4 880	5 290	3 590	4 430	3 010	8.39
	-1.5	*5 910	*5 910	*8 970	*8 970	*10 990	6 990	7 190	4 720	5 190	3 500	4 860	3 280	7.86
	-3.0	*10 330	*10 330	*13 550	12 470	*9 760	7 070	7 120	4 670	5 170	3 480	*5 820	3 910	6.94
	-4.5			*9 760	*9 760	*7 170	*7 170	7 180	4 720			*5 520	*5 520	5.46

ZAXIS 225USLC BLADE (ON GROUND)

Rating over-front Rating over-side or 360 degrees Unit : kg

Conditions	Load point height m	Load radius m										At max. reach		
		1.5		3.0		4.5		6.0		7.5		meter		
Boom 5.68 m	7.5					*5 930	*5 930					*5 990	5 670	5.89
Arm 2.42 m	6.0					*6 440	*6 440	*5 890	5 500			*5 790	4 240	7.06
Counterweight	4.5					*7 940	*7 940	*6 480	5 320	*5 810	3 790	*5 770	3 600	7.74
7 000 kg	3.0					*9 900	7 590	*7 310	5 070	*6 120	3 690	*5 830	3 300	8.09
Shoe 600 mm	1.5					*11 200	7 170	*8 010	4 860	*6 420	3 590	*5 950	3 210	8.13
	0 (Ground)					*11 350	7 030	*8 290	4 730	*6 470	3 520	*6 080	3 310	7.88
	-1.5			*9 940	*9 940	*10 670	7 040	*7 960	4 710			*6 190	3 660	7.31
	-3.0			*12 090	*12 090	*9 110	7 160	*6 690	4 800			*6 160	4 510	6.31
	-4.5					*5 670	*5 670					*5 460	*5 640	4.61
Boom 5.68 m	7.5					*5 180	*5 180	*5 310	*5 310			*4 270	*4 270	6.57
Arm 2.91 m	6.0					*5 710	*5 710	*5 400	*5 400	*4 520	3 880	*4 020	3 770	7.62
Counterweight	4.5			*9 950	*9 950	*7 190	*7 190	*6 040	5 380	*5 460	3 820	*3 990	3 270	8.26
7 000 kg	3.0					*9 230	7 750	*6 940	5 120	*5 860	3 710	*4 120	3 020	8.58
Shoe 600 mm	1.5					*10 830	7 260	*7 770	4 880	*6 250	3 590	*4 430	2 940	8.63
	0 (Ground)			*4 520	*4 520	*11 370	7 030	*8 210	4 720	*6 440	3 500	*4 970	3 010	8.39
	-1.5	*5 910	*5 910	*8 970	*8 970	*10 990	6 990	*8 110	4 670	*6 210	3 480	*5 770	3 280	7.86
	-3.0	*10 330	*10 330	*13 550	*13 550	*9 760	7 070	*7 240	4 720			*5 820	3 910	6.94
	-4.5			*9 760	*9 760	*7 170	*7 170					*5 520	*5 520	5.46